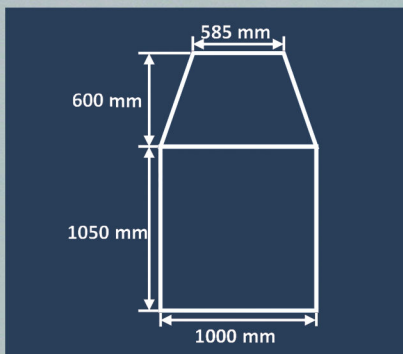
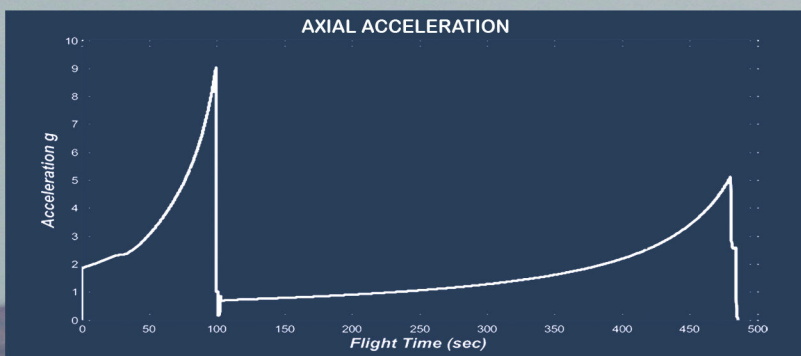
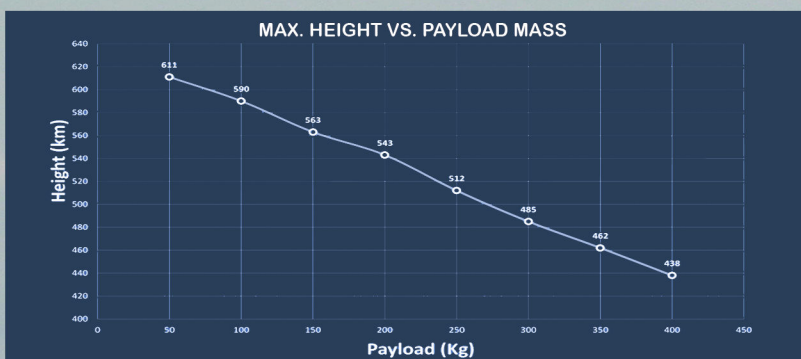


LV-500 LAUNCH VEHICLE



LV500 is the second Iranian launch vehicle that is designed for putting payloads into circular orbit. LV500 is a low cost launch system for orbit launch.



Performance

Payload Mass	50 - 400 Kg
Max. Altitude	611 km
Min. Altitude	438 km
Inclination	55°

